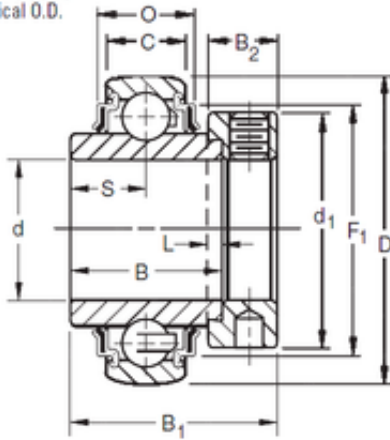




BEARING TYCA PRIVATE LTD.

KRRB Two Seals
Spherical O.D.



20 mm x 47 mm x 34,13 mm Timken E20KRRB deep groove ball bearings

Bearing No. E20KRRB

Size	20x47x34.13 mm
Bore Diameter	20 mm
Outer Diameter	47 mm
Width	34,13 mm
d	20 mm
D	47 mm
B	34,13 mm
C	14 mm
P	15,29 mm
O	16,56 mm
d1	33,3 mm
B1	43,7 mm
B2	13,5 mm
L	4 mm
S	17,1 mm
F1	38,91 mm
Weight	0,204 Kg
Basic dynamic load rating (C)	14,3 kN

E20KRRB Bearing 2D drawings and 3D CAD models