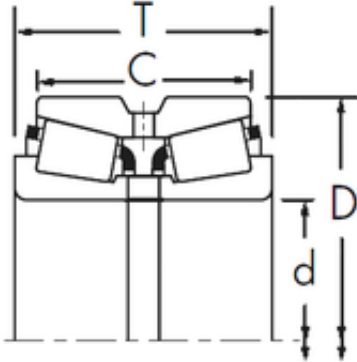




# BEARING TYCA PRIVATE LTD.

Timken 598X/592D+X1S-598 tapered roller bearings



Bearing No. 598X/592D+X1S-598

Dimensione	92.075x152.4x82.55 mm
Marchio	Timken
Diametro del foro	92,075 mm
Diametro esterno	152,4 mm
Larghezza	82,55 mm
d	92,075 mm
D	152,4 mm
T	82,55 mm
C	63,5 mm
R	3,5 mm
r	0,8 mm

598X/592D+X1S-598 Bearing 2D drawings and 3D CAD models