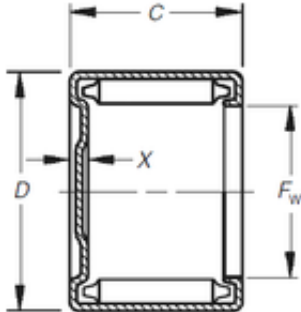




# BEARING TYCA PRIVATE LTD.

## Timken M-2181 needle roller bearings



Bearing No. M-2181

Size	33.338x41.275x12.7 mm
Bore Diameter	33,338 mm
Outer Diameter	41,275 mm
Width	12,7 mm
Fw	33,338 mm
D	41,275 mm
C	12,7 mm
C1	2,79 mm
Weight	0,039 Kg
Basic dynamic load rating (C)	19,3 kN
Basic static load rating (C0)	33,7 kN
(Grease) Lubrication Speed	2600 r/min

M-2181 Bearing 2D drawings and 3D CAD models