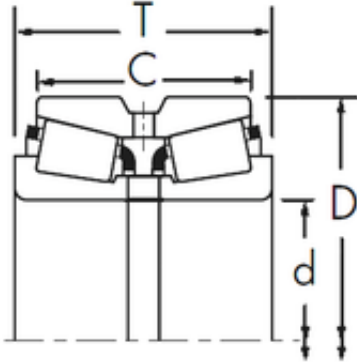




BEARING TYCA PRIVATE LTD.

Timken 2585/2523D+X1S-2585 tapered roller bearings



Bearing No. 2585/2523D+X1S-2585

Size	33.338x69.85x66.675 mm
Bore Diameter	33,338 mm
Outer Diameter	69,85 mm
Width	66,675 mm
d	33,338 mm
D	69,85 mm
T	66,675 mm
C	57,15 mm
R	3,5 mm
r	0,8 mm

2585/2523D+X1S-2585 Bearing 2D drawings and 3D CAD models