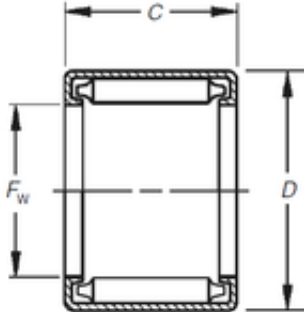




# BEARING TYCA PRIVATE LTD.

## Timken BH-1410 needle roller bearings



Bearing No. BH-1410

Size	22.225x30.163x15.88 mm
Bore Diameter	22,225 mm
Outer Diameter	30,163 mm
Width	15,88 mm
Fw	22,225 mm
D	30,163 mm
C	15,88 mm
Weight	0,03 Kg
Basic dynamic load rating (C)	20,3 kN
Basic static load rating (C0)	32,21 kN
(Grease) Lubrication Speed	3800 r/min

BH-1410 Bearing 2D drawings and 3D CAD models