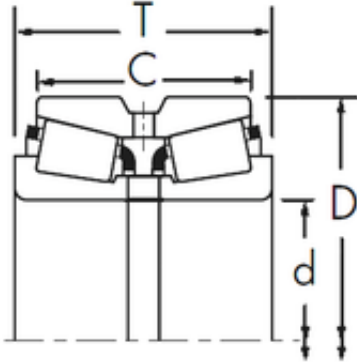




# BEARING TYCA PRIVATE LTD.

## Timken EE113091/113171D+X1S-113091 tapered roller bearings



Bearing No. EE113091/113171D+X1S-113091

Size	228.46x431.8x196.85 mm
Bore Diameter	228,46 mm
Outer Diameter	431,8 mm
Width	196,85 mm
d	228,46 mm
D	431,8 mm
T	196,85 mm
C	111,125 mm
R	6,4 mm
r	3,3 mm

EE113091/113171D+X1S-113091 Bearing 2D drawings  
and 3D CAD models