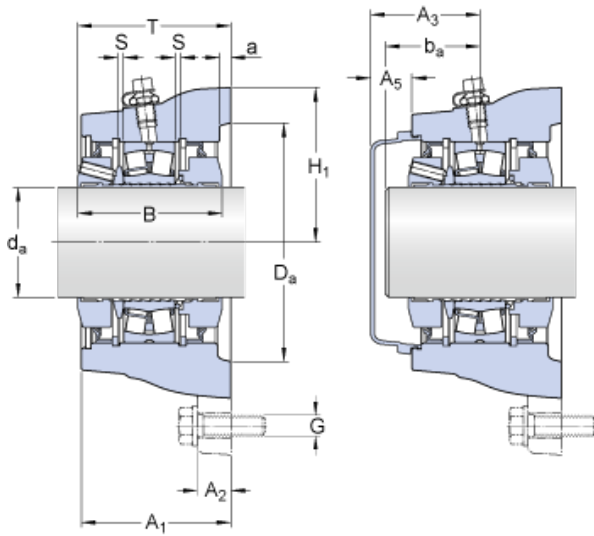




# BEARING TYCA PRIVATE LTD.



FYNT 70 L Bearing 2D drawings and 3D CAD models

## SKF FYNT 70 L bearing units

Bearing No. FYNT 70 L

|                             |             |
|-----------------------------|-------------|
| Size                        | 70x82x25 mm |
| Bore Diameter               | 70 mm       |
| Outer Diameter              | 82 mm       |
| Width                       | 25 mm       |
| $d_a$                       | 70 mm       |
| $A_1$                       | 82 mm       |
| $A_2$                       | 25 mm       |
| T - max.                    | 81.3 mm     |
| B                           | 72 mm       |
| H                           | 196 mm      |
| $H_1$                       | 98 mm       |
| J                           | 152 mm      |
| L                           | 196 mm      |
| $D_a$                       | 150 mm      |
| H                           | 19 mm       |
| a                           | 6 mm        |
| S                           | 2.5 mm      |
| $J_5$                       | 87 mm       |
| $J_6$                       | 54 mm       |
| $N_4$ - max.                | 8 mm        |
| $A_3$                       | 80 mm       |
| $A_5$                       | 38.5 mm     |
| $b_a$ - min.                | 38 mm       |
| $b_a$ - max.                | 70 mm       |
| Basic dynamic load rating - | 208 kN      |



## BEARING TYCA PRIVATE LTD.

|                                  |            |
|----------------------------------|------------|
| C                                |            |
| Basic static load rating - $C_0$ | 228 kN     |
| Fatigue load limit - $P_u$       | 25.5 kN    |
| Limiting speed                   | 2600 r/min |
| Calculation factor - e           | 0.22       |
| Calculation factor - $Y_1$       | 3          |
| Calculation factor - $Y_2$       | 4.6        |
| Diameter - $d_m$                 | 97.5 mm    |
| Basic Designation bearing        | 22214 E    |
| $P_a$                            | 20 kN      |
| $P_1$                            | 150 kN     |
| $P_2$                            | 140 kN     |
| $P_3$                            | 340 kN     |
| Mass bearing unit                | 11 kg      |
| Category                         | Bearings   |
| Inventory                        | 0.0        |
| Manufacturer Name                | SKF        |
| Minimum Buy Quantity             | N/A        |
| Weight / Kilogram                | 0.762      |
| Product Group                    | M06288     |
| $d_a$                            | 70 mm      |
| $A_1$                            | 82 mm      |
| $A_2$                            | 25 mm      |
| T max.                           | 81.3 mm    |
| $H_1$                            | 98 mm      |
| $D_a$                            | 150 mm     |
| N                                | 19 mm      |
| $A_3$                            | 80 mm      |
| $A_5$                            | 38.5 mm    |
| $b_a$ min.                       | 38 mm      |
| $b_a$ max.                       | 70 mm      |



## BEARING TYCA PRIVATE LTD.

|  |           |
|--|-----------|
| $J_5$                                  | 87 mm     |
| $J_6$                                  | 54 mm     |
| $N_4$ max.                             | 8 mm      |
| Basic dynamic load rating C            | 208 kN    |
| Basic static load rating $C_0$         | 228 kN    |
| Fatigue load limit $P_u$               | 25.5 kN   |
| Calculation factor e                   | 0.22      |
| Calculation factor $Y_1$               | 3         |
| Calculation factor $Y_2$               | 4.6       |
| Bearing mean diameter $d_m$            | 97.5 mm   |
| $P_1$                                  | 150 kN    |
| $P_2$                                  | 140 kN    |
| $P_3$                                  | 340 kN    |
| $P_a$                                  | 20 kN     |
| Attachment bolt diameter G             | 16 mm     |
| Tightening torque for attachment bolts | 200 N · m |
| Grub screws                            | 4 x M 6   |
| Tightening torque for grub screws      | 8 N · m   |
| Grease quantity for relubrication      | 8 g       |