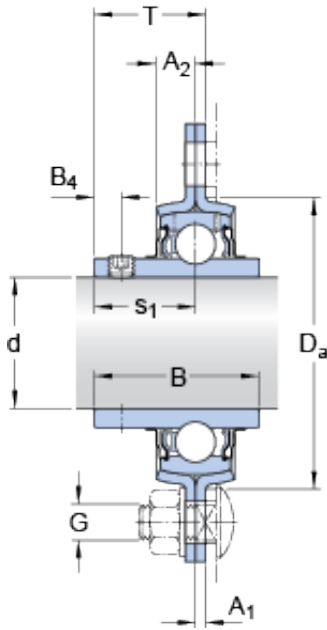




BEARING TYCA PRIVATE LTD.



PFT 1.1/4 TF Bearing 2D drawings and 3D CAD models

SKF PFT 1.1/4 TF bearing units

Bearing No. PFT 1.1/4 TF

Size	31.75x2.5x10 mm
Bore Diameter	31,75 mm
Outer Diameter	2,5 mm
Width	10 mm
d	31.75 mm
A ₁	2.5 mm
A ₂	10 mm
B	42.9 mm
B ₄	6 mm
D _a - min.	77 mm
J	100 mm
H	122 mm
L	94 mm
H	11 mm
s ₁	25.4 mm
T	27.9 mm
Basic dynamic load rating - C	25.5 kN
Basic static load rating - C ₀	15.3 kN
Fatigue load limit - P _u	0.655 kN
Limiting speed	5300 r/min
Mass bearing unit	0.72 kg
Thread - G ₂ - 5/16-24 UNF	5/1624 UNF
Hexagonal key size for grub screw - H	3.969 mm
Housing material	Pressed steel



BEARING TYCA PRIVATE LTD.

D_a min.	77 mm
A_1	2.5 mm
A_2	10 mm
B_4	6 mm
N	11 mm
s_1	25.4 mm
Basic dynamic load rating C	25.5 kN
Basic static load rating C_0	15.3 kN
Fatigue load limit P_u	0.655 kN
Thread grub screw G_2	5/16-24 UNF
Hexagonal key size for grub screw N	3.969 mm
Recommended tightening torque for grub screw	6.5 N · m
Recommended diameter for attachment bolts, mm G	10 mm
Recommended diameter for attachment bolts, inch G	0.375 in