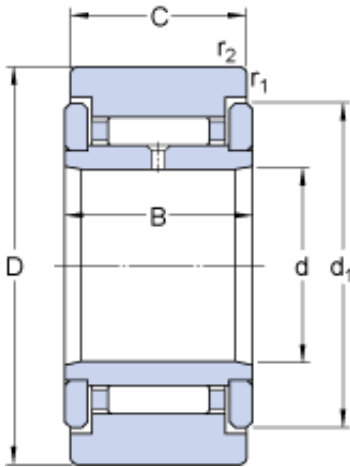




BEARING TYCA PRIVATE LTD.



17 mm x 40 mm x 21 mm SKF NATR 17 X cylindrical roller bearings

Bearing No. NATR 17 X

NATR 17 X Bearing 2D drawings and 3D CAD models

Size	17x40x20 mm
Bore Diameter	17 mm
Outer Diameter	40 mm
Width	20 mm
D	40 mm
d	17 mm
C	20 mm
B	21 mm
d ₁	31.5 mm
r _{1,2} - min.	1 mm
Basic dynamic load rating - C	10.5 kN
Basic static load rating - C ₀	14.6 kN
Fatigue load limit - P _u	1.7 kN
Maximum static radial loads - F _r	12.5 kN
Maximum static radial loads - F _{or}	18 kN
Limiting speed	3400 r/min
Category	Cam Follower and Track Roller - Yoke Type
Inventory	0.0
Manufacturer Name	SKF
Minimum Buy Quantity	N/A
Weight / Kilogram	0.14
Product Group	B04144



BEARING TYCA PRIVATE LTD.

Roller Surface Profile	Flat
Profile	Yoke Type
Enclosure	Sealed
Rolling Element	Needle Bearing
Relubricatable	Yes
Inch - Metric	Metric
Other Features	Caged With Flanged Inner Ring Gap Seal
Long Description	17MM Bore; 40MM Roller Diameter; 20MM Roller Width; Flat Roller; Yoke Type; Sealed; Needle Bearing; Relubricatable
Category	Cam Followers Yoke Type
UNSPSC	31171530
Harmonized Tariff Code	8482.40.00.00
Noun	Bearing
Keyword String	Cam Follower
Manufacturer URL	http://www.skf.com
Manufacturer Item Number	NATR 17 X
Weight / LBS	0.309
Roller Width	0.787 Inch 20 Millimeter
Roller Diameter	1.575 Inch 40 Millimeter
Bore	0.669 Inch 17 Millimeter
d_1	31.5 mm
$r_{1,2}$ min.	1 mm
Basic dynamic load rating C	10.5 kN
Basic static load rating C_0	14.6 kN
Fatigue load limit P_u	1.73 kN
Maximum dynamic radial loads F_r max.	12.5 kN
Maximum static radial loads F_{0r} max.	18 kN
Mass support roller	0.14 kg



BEARING TYCA PRIVATE LTD.