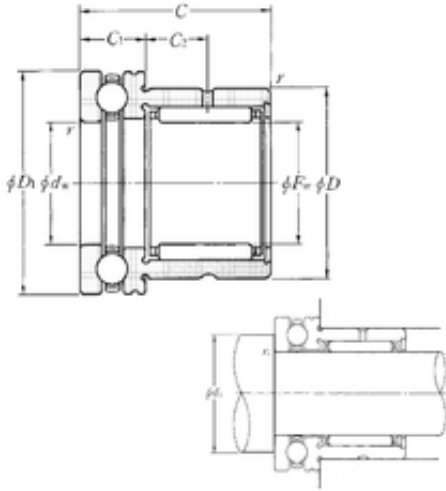




# BEARING TYCA PRIVATE LTD.



NKX50 Bearing 2D drawings and 3D CAD models

## NTN NKX50 complex bearings

Bearing No. NKX50

Bore Diameter	50 mm
Outer Diameter	70 mm
d	50 mm
Fw	50 mm
D	62 mm
D1	70 mm
C	35 mm
r min.	0,6 mm
C1	14 mm
da min.	62 mm
ra max.	0,6 mm
C2	10 mm
Weight	0,302 Kg
Dynamic load rating radial (C)	27,9 kN
Dynamic load rating axial (C)	28,8 kN
Static load rating radial (C0)	62 kN
Static load rating axial (C0)	75,5 kN
(Grease) Lubrication Speed	3100 r/min
dw	50 mm
rs min	0.6 mm
Dw	2.5 mm
Dw1	7.14 mm
Lw	16.8 mm
Lubrication hole on outer ring	Oui/Yes



## BEARING TYCA PRIVATE LTD.

k	3 mm
Precision class	P0
Mass	0.3 kg
Cr	27.9 kN
Ca	28.8 kN
C0r	62 kN
C0a	75.5 kN
Nlim (grease)	3,100 rpm
Nlim (oil)	4,500 rpm
Min operating temperature, Tmin	-20 ° C
Max operating temperature, Tmax	120 ° C
da min	62 mm
ras max	0.6 mm
Category	Bearings
Inventory	0.0
Manufacturer Name	NTN
Minimum Buy Quantity	N/A
Weight / Kilogram	0.302
Product Group	B04144