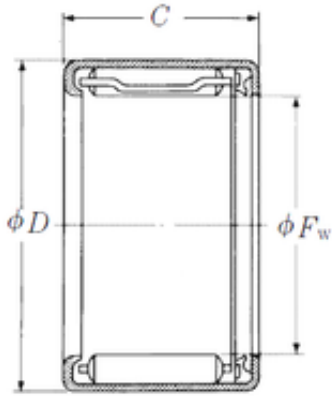




# BEARING TYCA PRIVATE LTD.

## NSK FJLT-5028 needle roller bearings



Bearing No. FJLT-5028

Size	50x62x28 mm
Bore Diameter	50 mm
Outer Diameter	62 mm
Width	28 mm
Fw	50 mm
D	62 mm
C	28 mm
Weight	0,13 Kg
Basic dynamic load rating (C)	48,5 kN

FJLT-5028 Bearing 2D drawings and 3D CAD models