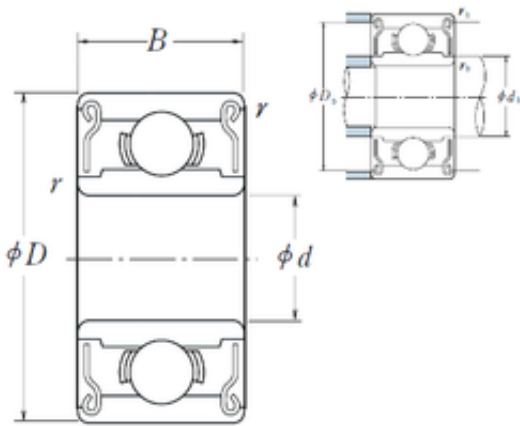




BEARING TYCA PRIVATE LTD.



607 ZZ1 Bearing 2D drawings and 3D CAD models

7 mm x 19 mm x 6 mm NSK 607 ZZ1 deep groove ball bearings

Bearing No. 607 ZZ1

Size	7x19x6 mm
Bore Diameter	7 mm
Outer Diameter	19 mm
Width	6 mm
d	7 mm
D	19 mm
B	6 mm
C	6 mm
r min.	0,3 mm
db max.	9,1 mm
Db min.	16,5 mm
rb max.	0,3 mm
Weight	0,00751 Kg
Basic dynamic load rating (C)	2,34 kN
Basic static load rating (C0)	0,885 kN