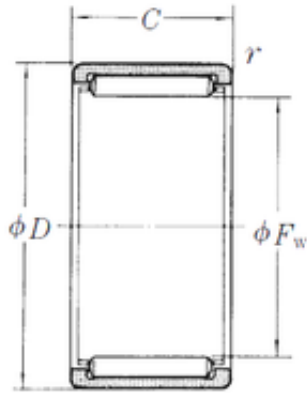




BEARING TYCA PRIVATE LTD.

NSK RLM2920 needle roller bearings



Bearing No. RLM2920

Size	29x38x20 mm
Bore Diameter	29 mm
Outer Diameter	38 mm
Width	20 mm
Fw	29 mm
D	38 mm
C	20 mm
r min.	0,5 mm
Weight	0,052 Kg
Basic dynamic load rating (C)	25,1 kN
Basic static load rating (C0)	36 kN

RLM2920 Bearing 2D drawings and 3D CAD models