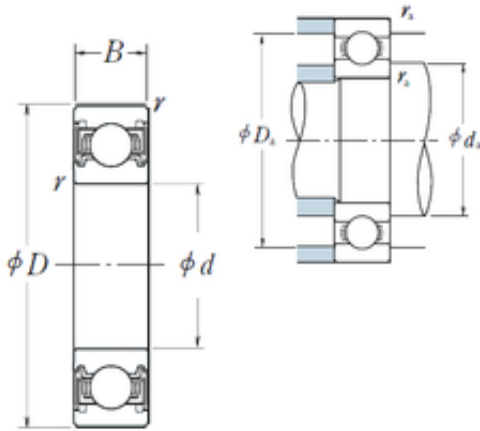




BEARING TYCA PRIVATE LTD.



17 mm x 26 mm x 5 mm NSK 6803VV deep groove ball bearings

Bearing No. 6803VV

6803VV Bearing 2D drawings and 3D CAD models

Size	17x26x5 mm
Bore Diameter	17 mm
Outer Diameter	26 mm
Width	5 mm
d	17 mm
D	26 mm
B	5 mm
C	5 mm
r min.	0,3 mm
da min.	19 mm
da max	19 mm
Da max.	24 mm
ra max.	0,3 mm
Weight	0,007 Kg
Basic dynamic load rating (C)	2,63 kN
Basic static load rating (C0)	1,57 kN
(Grease) Lubrication Speed	26 000 r/min
Category	Single Row Ball Bearings
Inventory	0.0
Manufacturer Name	NSK
Minimum Buy Quantity	N/A
Weight / Kilogram	0.008
EAN	0029176029783
Product Group	B00308
Enclosure	2 Seals



BEARING TYCA PRIVATE LTD.

Precision Class	ABEC 1 ISO P0
Maximum Capacity / Filling Slot	No
Rolling Element	Ball Bearing
Snap Ring	No
Internal Special Features	No
Cage Material	Steel
Enclosure Type	Non-Contact Seal
Internal Clearance	C0-Medium
Inch - Metric	Metric
Long Description	17MM Bore; 26MM Outside Diameter; 5MM Outer Race Diameter; 2 Seals; Ball Bearing; ABEC 1 ISO P0; No Filling Slot; No Snap Ring; No Internal Special Features
Category	Single Row Ball Bearing
UNSPSC	31171504
Harmonized Tariff Code	8482.10.50.68
Noun	Bearing
Keyword String	Ball
Manufacturer URL	http://www.nskamericas.com
Manufacturer Item Number	6803VV
Weight / LBS	0.008
Outer Race Width	0.197 Inch 5 Millimeter
Outside Diameter	1.024 Inch 26 Millimeter
Bore	0.669 Inch 17 Millimeter
bore diameter:	17 mm
dynamic load capacity:	590 lbs
outside diameter:	26 mm
static load capacity:	355 lbs
overall width:	5 mm
bearing material:	Steel



BEARING TYCA PRIVATE LTD.

bore type:	Round
maximum rpm (grease):	26000 rpm
closure type:	Two Non-Contact Seals
maximum rpm (oil):	30000 rpm
row type & fill slot:	Single Row Non-Fill Slot
manufacturer catalog:	Click here
snap ring included:	Without Snap Ring
manufacturer upc number:	029176029783
internal clearance:	C0
SRI	1.44
hidYobi	6803VV
LangID	1
D_	26
SREX	0.01
B_	5
da min	19
hidTable	ecat_NS RDGB
SRE	1.44
mass	0.007
GRS rpm	26000
ra	0.3
SRIX	0.01
D_a	24
SRIN	-0.01
C0	1.57
fo	15.7
SREN	-0.01
DE_	24.278
Prod_Type3	DGBB_SR_VV
DA_	2.778
bomp	0
Z_	13



BEARING TYCA PRIVATE LTD.

yobi	6803VV
C_conv	2630
ALPHA_	0
SDM_	21.5
r	0.3
KBRG	6151
SBRG	18
DI_	18.722