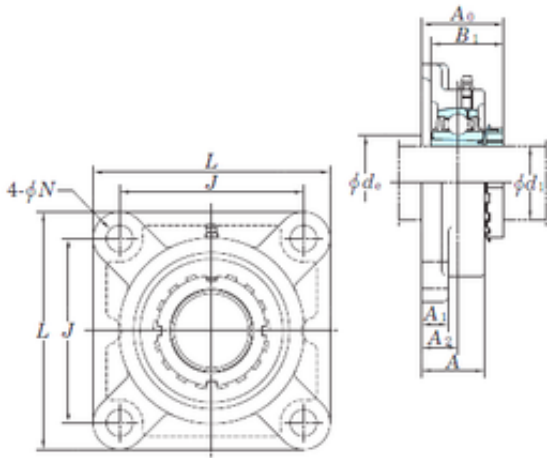




BEARING TYCA PRIVATE LTD.

KOYO UKF308 bearing units

Bearing No. UKF308



UKF308 Bearing 2D drawings and 3D CAD models

Bore Diameter	35 mm
d	35 mm
A0	50,5 mm
A	40 mm
A1	17 mm
B1	46 mm
J	112 mm
L	150 mm
N	19 mm
Thread (G)	M16
A2	23 mm
Weight	3,1 Kg
Basic dynamic load rating (C)	40,7 kN
Basic static load rating (C0)	24 kN