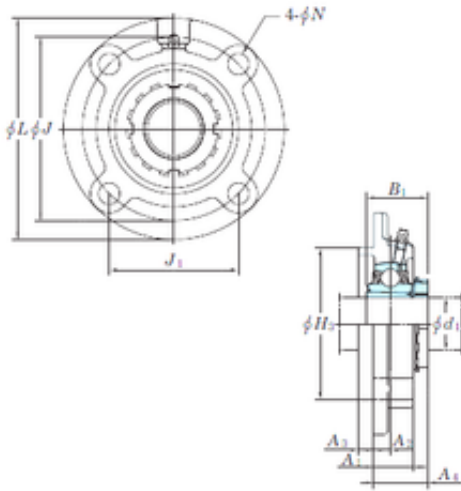




BEARING TYCA PRIVATE LTD.



UKFCX06 Bearing 2D drawings and 3D CAD models

KOYO UKFCX06 bearing units

Bearing No. UKFCX06

Bore Diameter	25,4 mm
d	25,4 mm
H3	85 mm
A4	29 mm
A1	22,5 mm
B1	38 mm
J	105 mm
L	127 mm
N	12 mm
Bolt (G)	M10
A2	8 mm
A3	9,5 mm
J1	74,2 mm
Weight	1,5 Kg
Basic dynamic load rating (C)	25,7 kN
Basic static load rating (C0)	15,4 kN